



**Gianni  
Ferrari**

## ***Turbo loader***



**cm. 150  
inch 59**

**CIMATRICE BILATERALE - 150 cm.**

**TAILLE HAIES 2 CÔTÉ - 150 cm.**

**ZWEISEITIGE HECKENSCHERE - 150 cm.**

**2-SIDE HEDGE CUTTER - 59"**



---

**CATALOGO PARTI DI RICAMBIO  
CATALOGUE PIECES DETACHEES  
ERSATZTEILKATALOG  
PARTS MANUAL**

---

30.04.2015



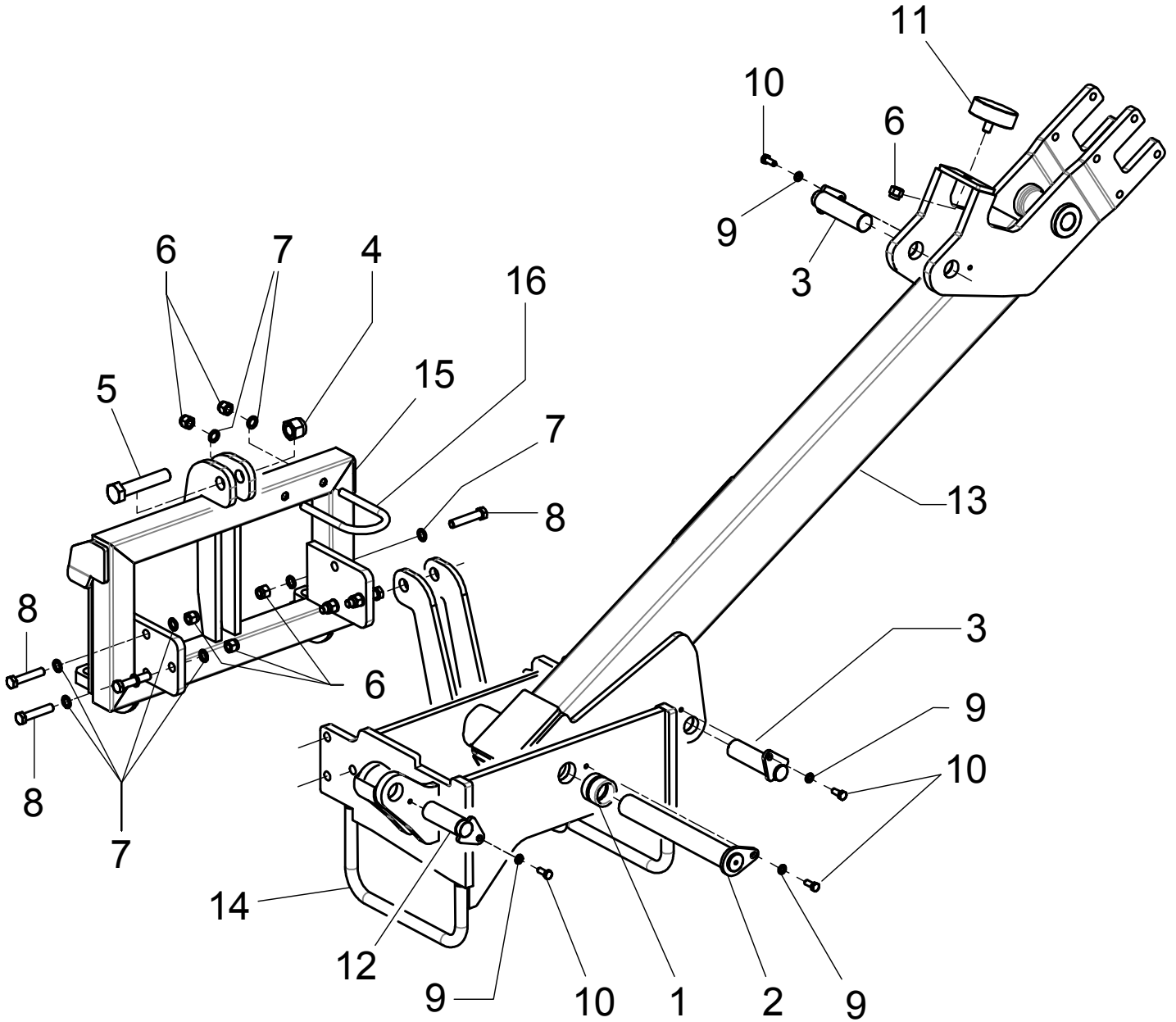
**Gianni  
Ferrari**



**cm. 150  
inch 59**

**HDG2S - Tav. 01**

30-04-2015



Ref.	Leg.	Code	Q.ty	Ref.	Leg.	Code	Q.ty
1		00.10.35.0045	2	9		00.68.01.0030	4
2		01.40.20.0136	1	10		00.92.05.1070	4
3		01.50.20.0269	2	11		00.07.01.0211	1
4		00.26.04.0120	1	12		01.50.20.0282	1
5		00.92.07.0210	1	13		01.50.20.0291	1
6		00.26.04.0080	9	14		01.50.20.0290	1
7		00.68.01.0050	14	15		01.50.20.0097	1
8		00.92.07.0130	6	16		01.60.20.1168	1

89.00.20.0110-1.idw



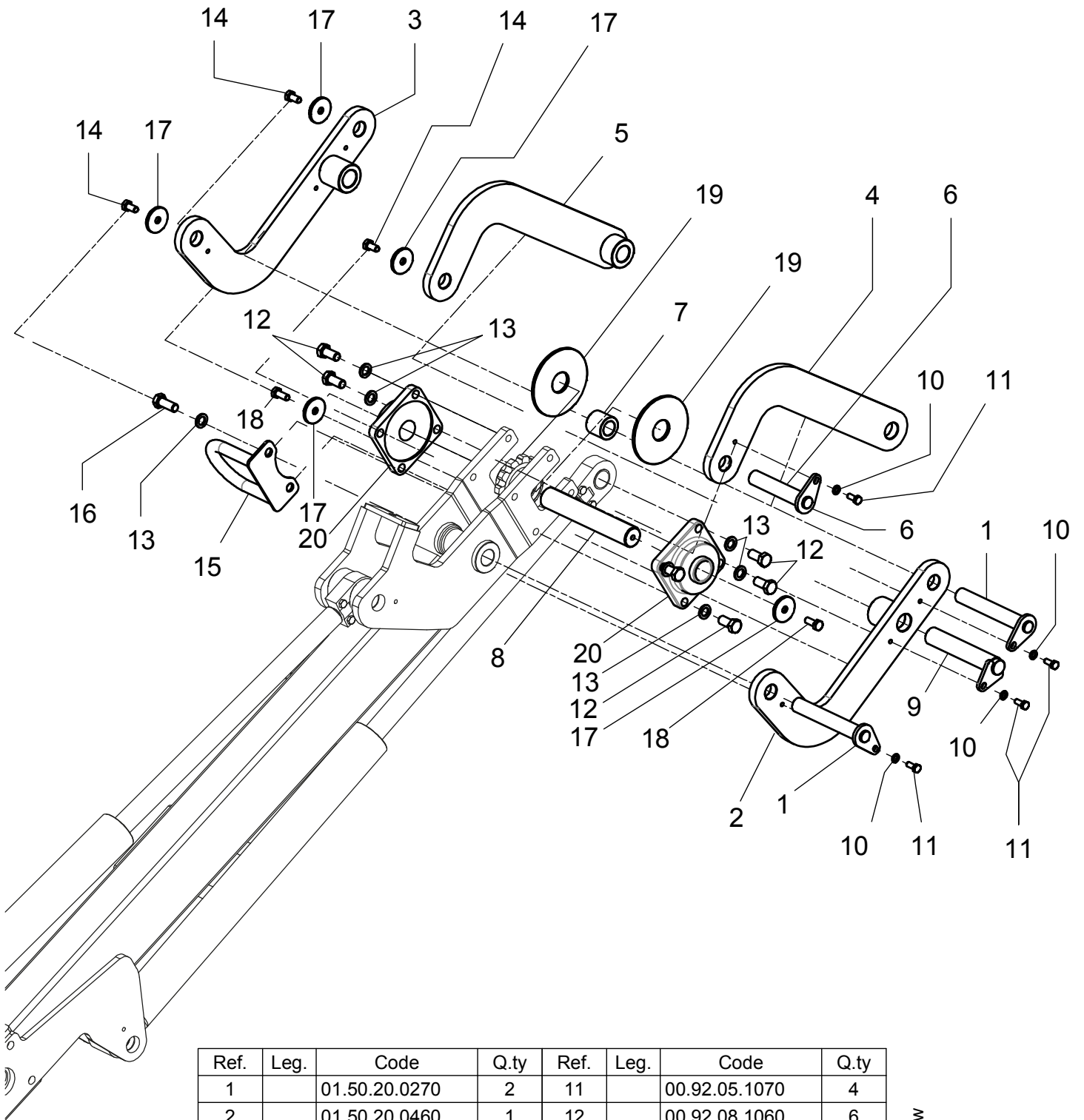
**Gianni  
Ferrari**



**cm. 150  
inch 59**

**HDG2S - Tav. 02**

16-04-2015



Ref.	Leg.	Code	Q.ty	Ref.	Leg.	Code	Q.ty
1		01.50.20.0270	2	11		00.92.05.1070	4
2		01.50.20.0460	1	12		00.92.08.1060	6
3		01.50.20.0461	1	13		00.68.01.0060	8
4		01.50.20.0462	1	14		00.92.06.1040	3
5		01.50.20.0463	1	15		01.50.20.0010	1
6		01.50.20.0273	1	16		00.92.08.1070	2
7		01.30.00.0044	1	17		00.68.08.0315	5
8		01.40.20.0172	1	18		00.92.06.1060	2
9		01.50.20.0280	1	19		00.68.06.0241	2
10		00.68.01.0030	4	20		00.24.01.0306	2

I 89.00.20.0107-2.0015.idw



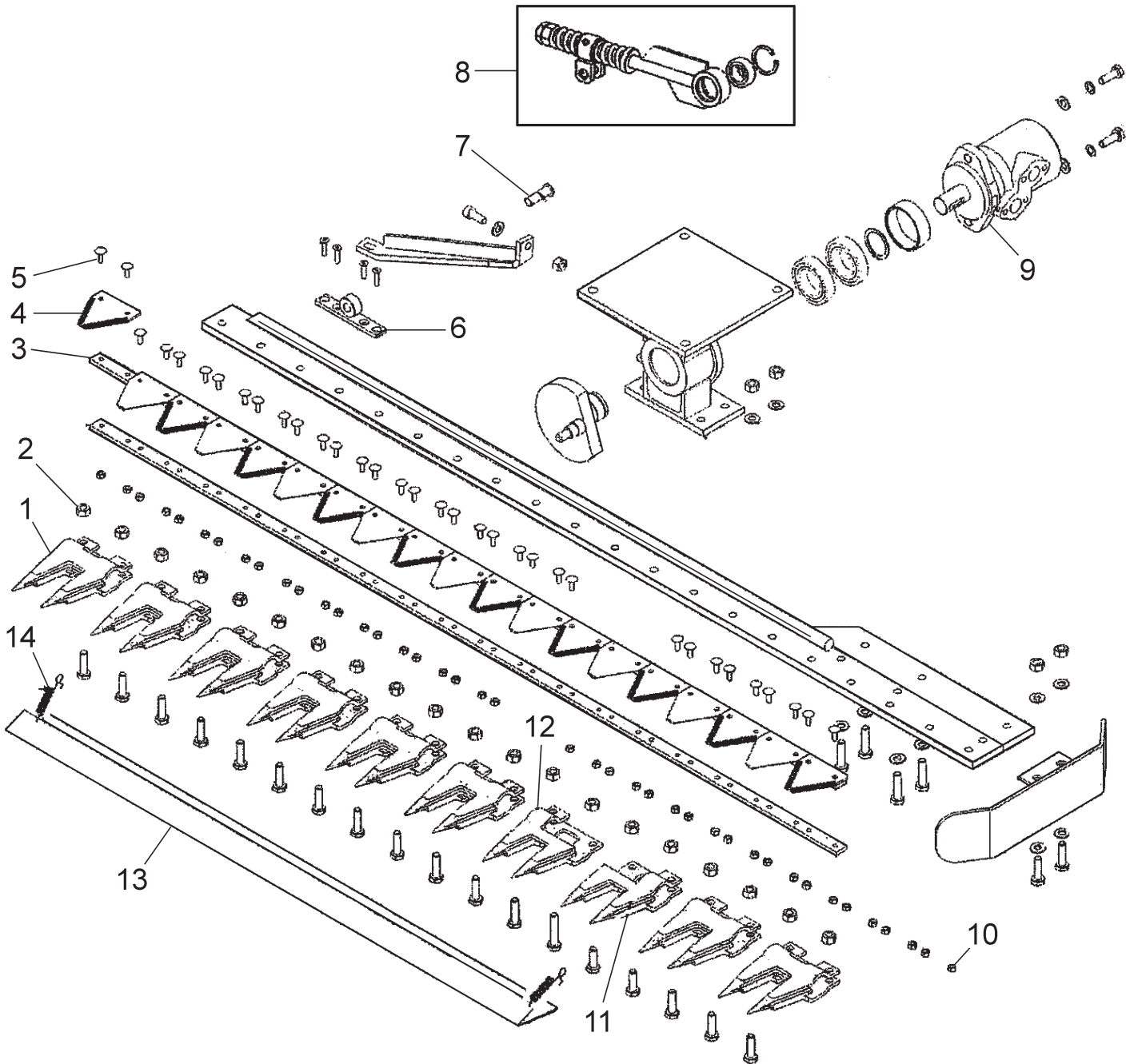
**Gianni  
Ferrari**



**cm. 150  
inch 59**

**HDG2S - Tav. 03**

26-11-2014



Ref.	Leg.	Code	Q.ty	Ref.	Leg.	Code	Q.ty	Ref.	Leg.	Code	Q.ty
1		01.33.20.0005	8	6		01.50.20.0114	1	10		00.26.12.0001	3
2		00.26.04.0070	27	7		01.40.20.0099	1	11		01.33.20.0007	8
3		01.90.20.0128	1	8		01.90.20.0134	1	12		01.33.20.0006	1
4		01.33.20.0001	19	9	c.c. 50	00.54.00.1134	1	13		01.60.20.1183	1
5		00.92.10.0001	34	9	c.c.100	00.54.00.1135	1	14		00.47.00.0062	2



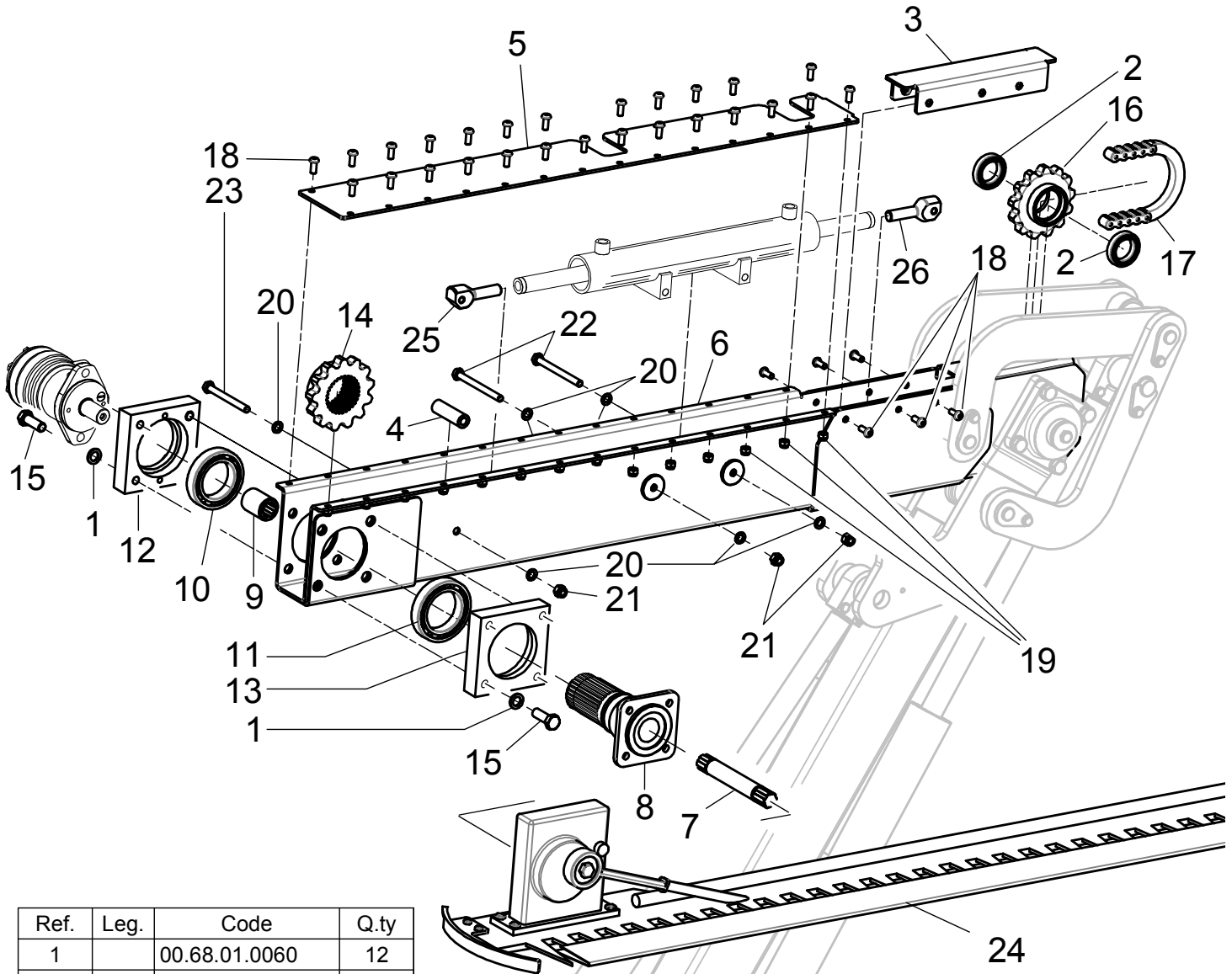
**Gianni  
Ferrari**



**cm. 150  
inch 59**

**HDG2S - Tav. 04**

30-04-2015



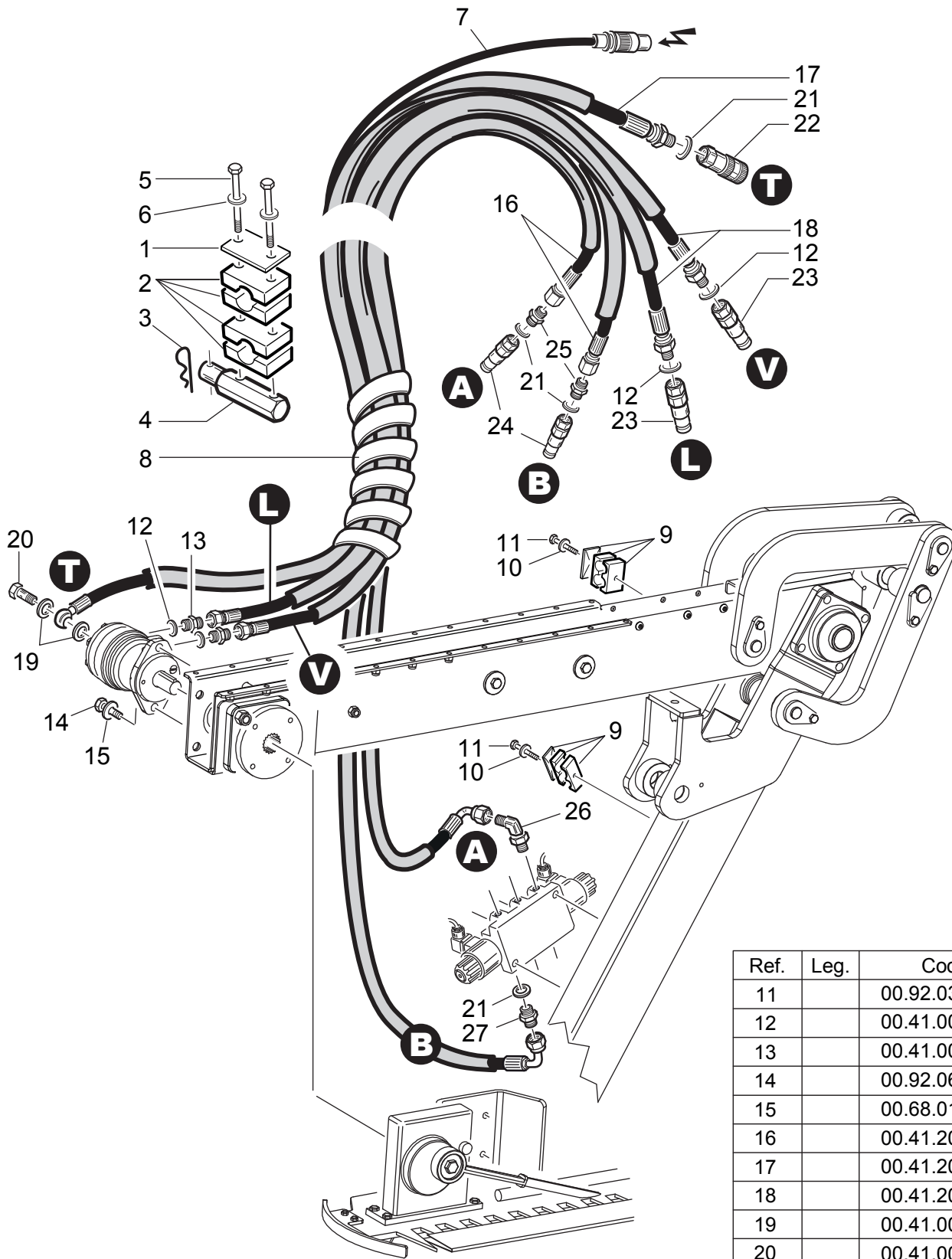
Ref.	Leg.	Code	Q.ty
1		00.68.01.0060	12
2		00.22.55.9000	2
3		01.50.20.0520	1
4		01.40.20.0192	1
5		01.60.20.1152	1
6		01.50.20.0573	1
7		01.40.20.1001	1
8		01.50.20.1000	1
9		01.40.20.1003	1
10		00.22.65.1000	1
11		00.22.65.1002	1
12		01.40.20.1002	1
13		01.40.20.1004	1
14		01.40.20.0279	1
15		00.92.08.1080	8
16		01.40.20.0278	1
17		00.15.01.0020	2 ML
18		00.90.06.3080	32

Ref.	Leg.	Code	Q.ty
19		00.26.04.0060	26
20		00.68.01.0040	6
21		00.26.04.0070	3
22		00.92.06.0230	2
23		00.92.06.0220	1
24		01.90.20.0132	1
25		01.40.20.0187	1
26		01.40.20.0168	1

89.00.20.0110-3.idw



**cm. 150  
inch 59**



Ref.	Leg.	Code	Q.ty
11		00.92.03.0120	2
12		00.41.00.0071	4
13		00.41.00.0113	2
14		00.92.06.0090	2
15		00.68.01.0040	2
16		00.41.20.0149	2
17		00.41.20.0156	1
18		00.41.20.0230	2
19		00.41.00.0060	2
20		00.41.00.0120	1
21		00.41.00.0070	4
22		00.41.00.3762	1
23		00.41.00.3776	2
24		00.41.00.3777	2
25		00.41.00.0110	2
26		00.41.00.0875	1
27		00.41.00.0100	1

Ref.	Leg.	Code	Q.ty	Ref.	Leg.	Code	Q.ty
1		00.41.00.0449	1	6		00.68.01.0020	2
2		00.41.00.0445	2	7		00.40.00.0115	1
3		00.18.00.1050	1	8		00.07.01.0182	1
4		00.40.20.0093	1	9		00.41.00.0442	2
5		00.92.03.0230	2	10		00.68.01.0030	2



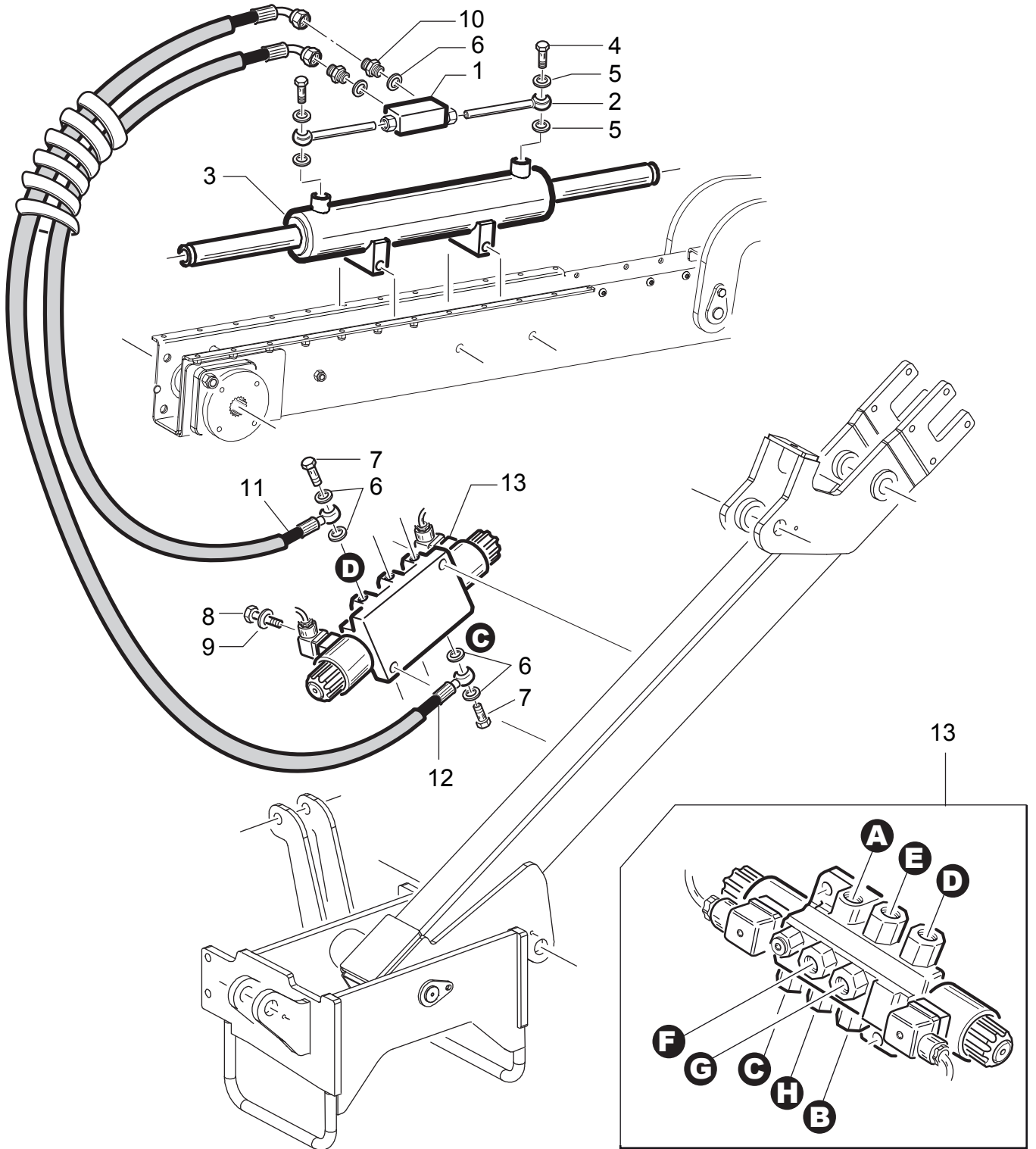
**Gianni  
Ferrari**



**cm. 150  
inch 59**

**HDG2S - Tav. 06**

30-04-2015



Ref.	Leg.	Code	Q.ty	Ref.	Leg.	Code	Q.ty	Ref.	Leg.	Code	Q.ty
1		00.41.00.0298	1	6		00.41.00.0070	6	11		00.41.20.0148	1
2		00.41.00.0273	2	7		00.41.00.0250	2	12		00.41.20.0148	1
3		00.58.20.0031	1	8		00.42.03.0120	3	13		00.41.00.3640	1
4		00.41.00.0122	2	9		00.68.01.0020	2				
5		00.41.00.0060	4	10		00.41.00.0110	2				



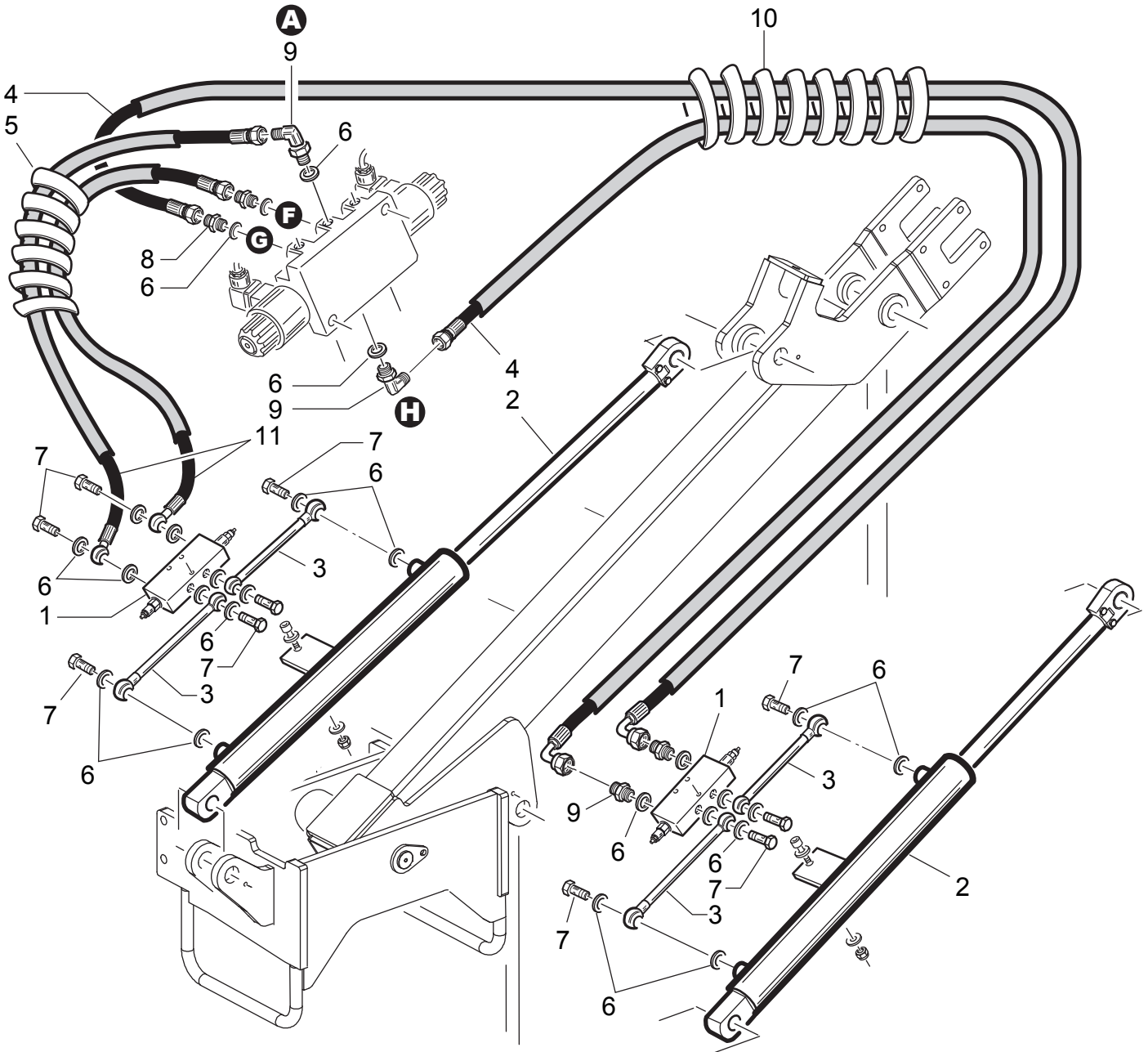
**Gianni  
Ferrari**



**cm. 150  
inch 59**

**HDG2S - Tav. 07**

30-04-2015



Ref.	Leg.	Code	Q.ty	Ref.	Leg.	Code	Q.ty	Ref.	Leg.	Code	Q.ty
1		00.41.00.0298	2	6		00.41.00.0070	24	11		00.41.20.0147	1
2		00.58.20.0026	2	7		00.41.00.0250	10				
3		00.41.00.0272	4	8		00.41.00.0100	2				
4		00.41.20.0146	2	9		00.41.00.0110	2				
5		00.07.01.0184	1	10		00.07.01.0182	1				





Advanced Groundcare Solutions™

